

INPUT

TRANSFORM

In-memory
cache

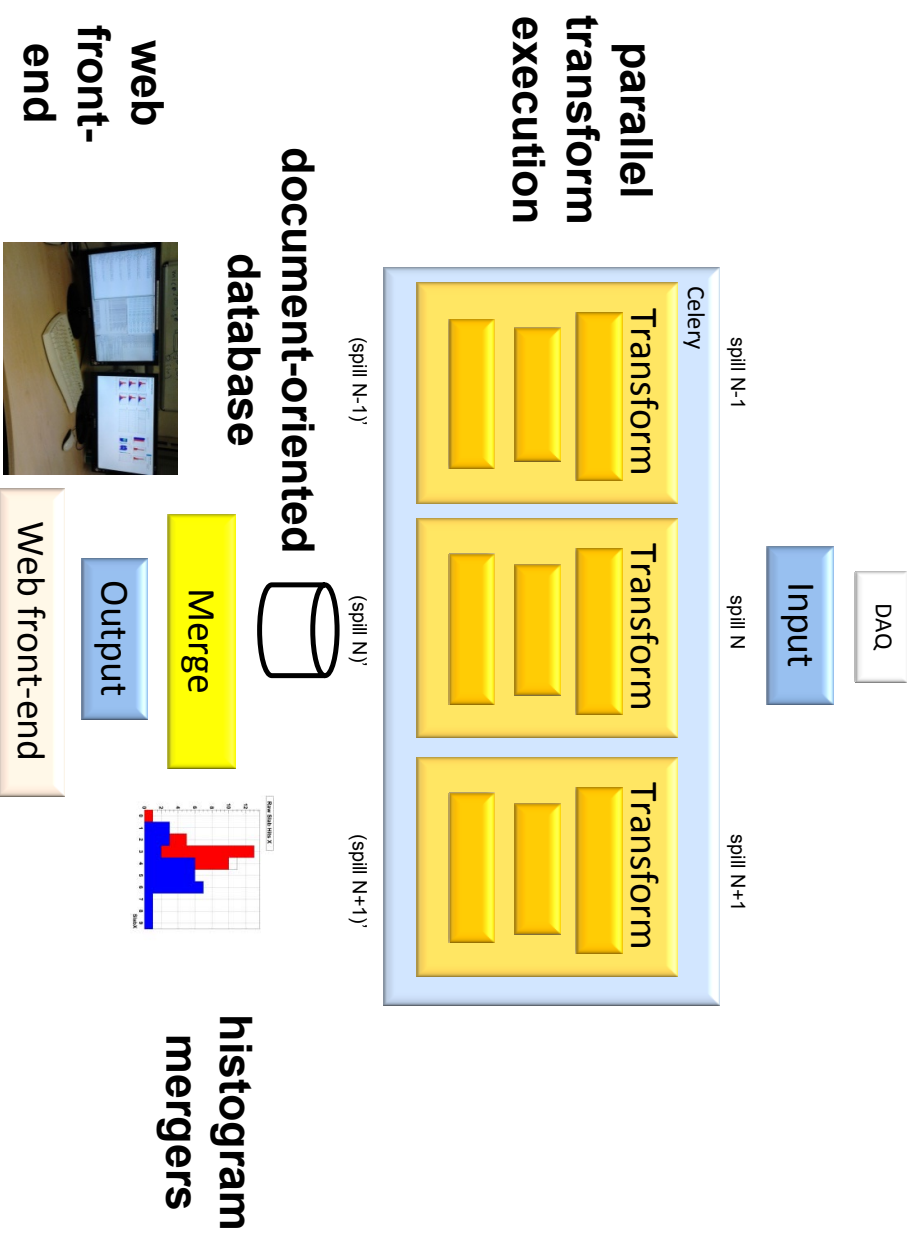
MERGE

OUTPUT

Software development



www.software.ac.uk

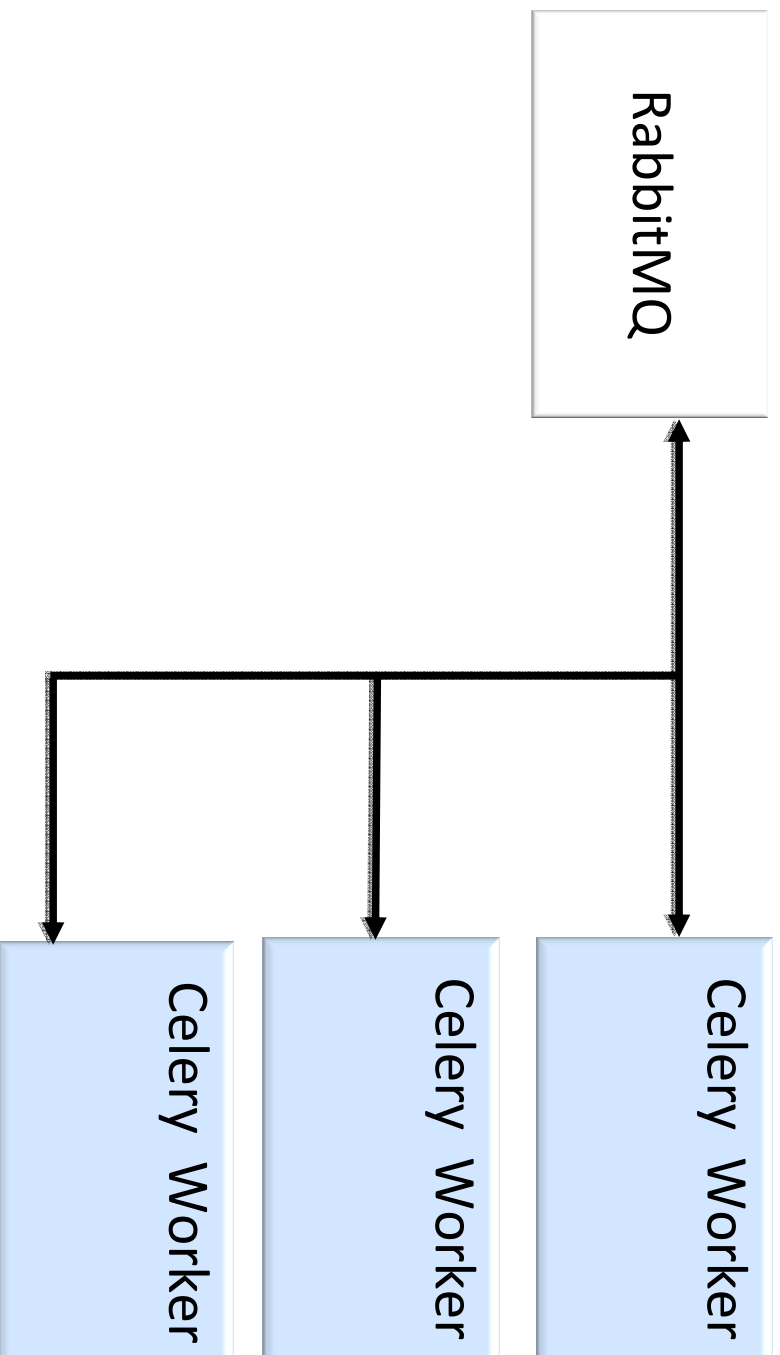


Software Sustainability Institute

Celery and RabbitMQ



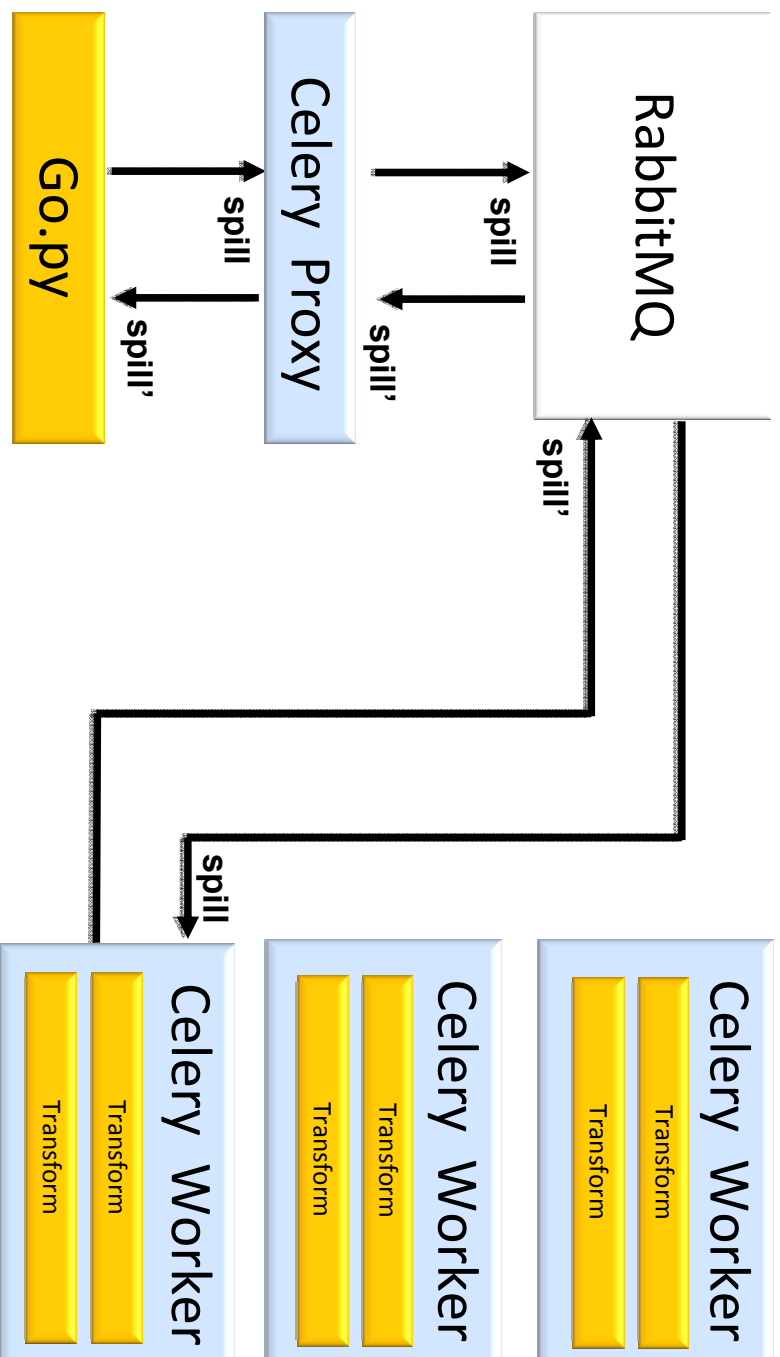
www.software.ac.uk



Celery workers and tasks



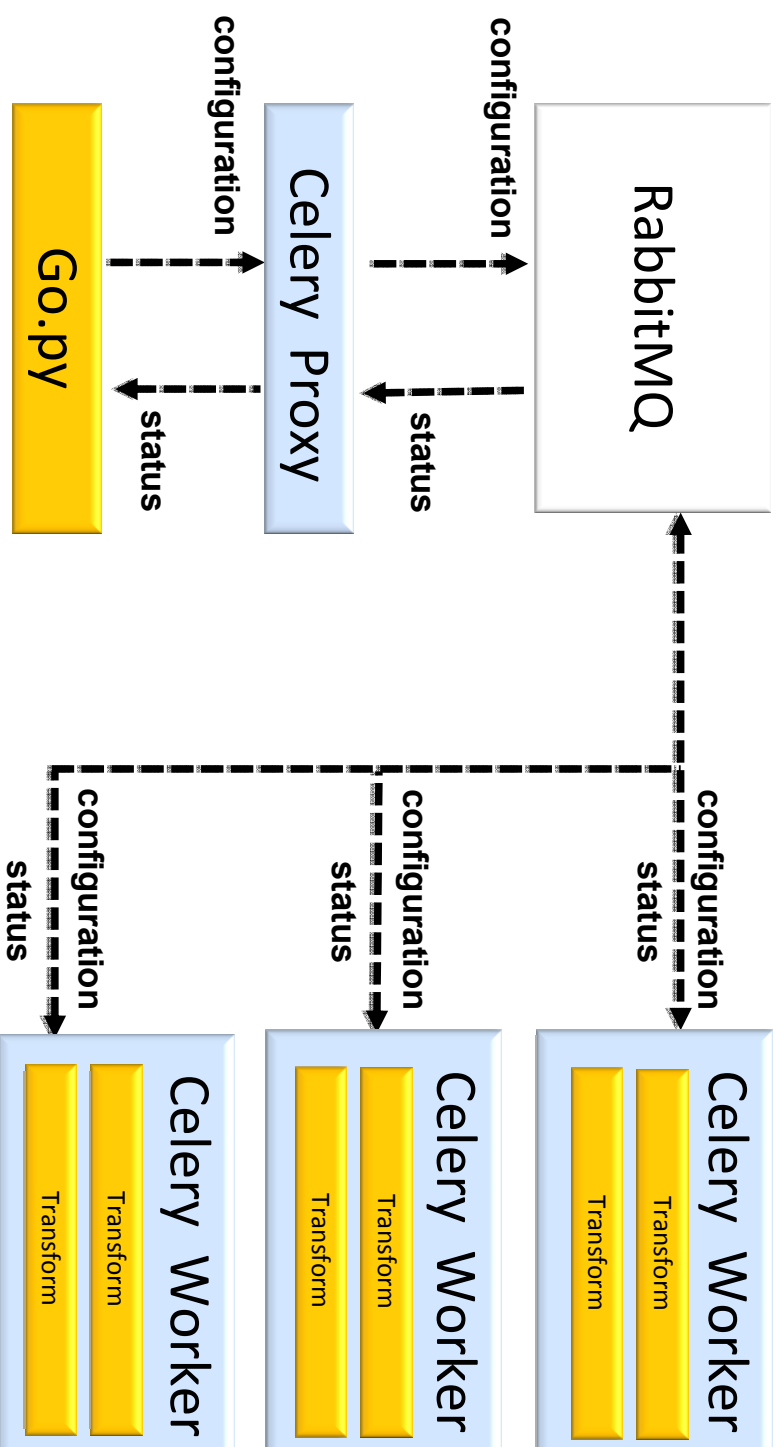
www.software.ac.uk



Celery workers and broadcasts



www.software.ac.uk

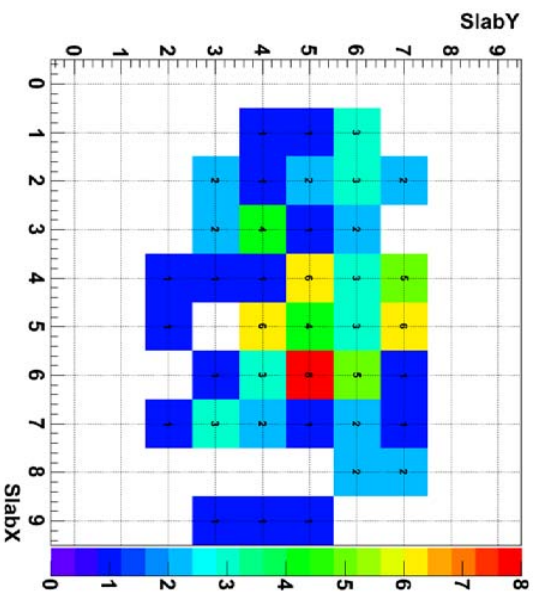


Histogram mergers

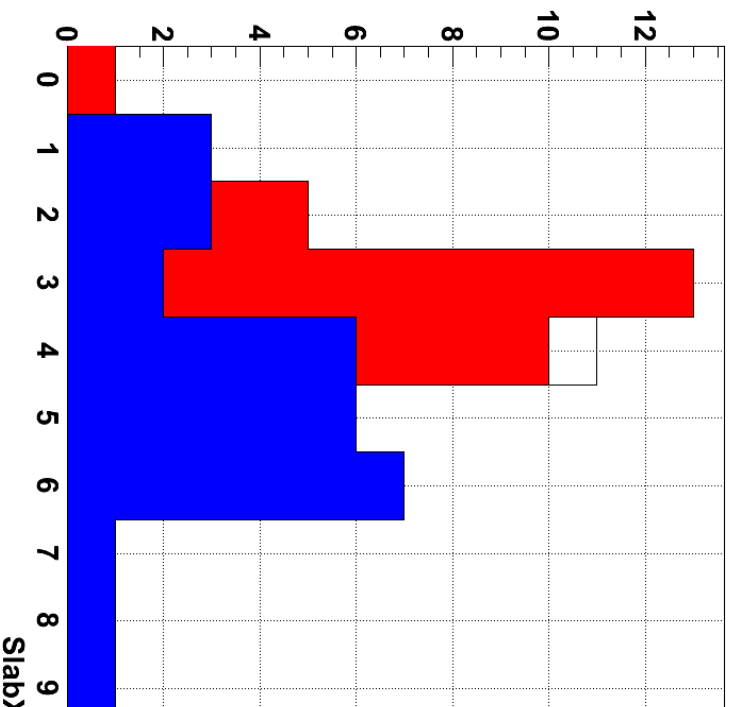


www.software.ac.uk

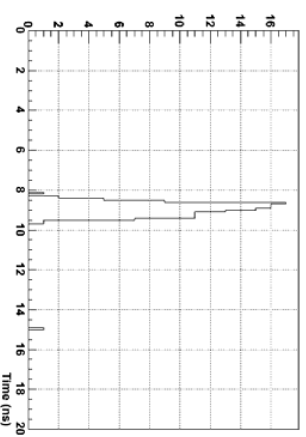
tof2: space points



Raw Slab Hits X



TOF1->2

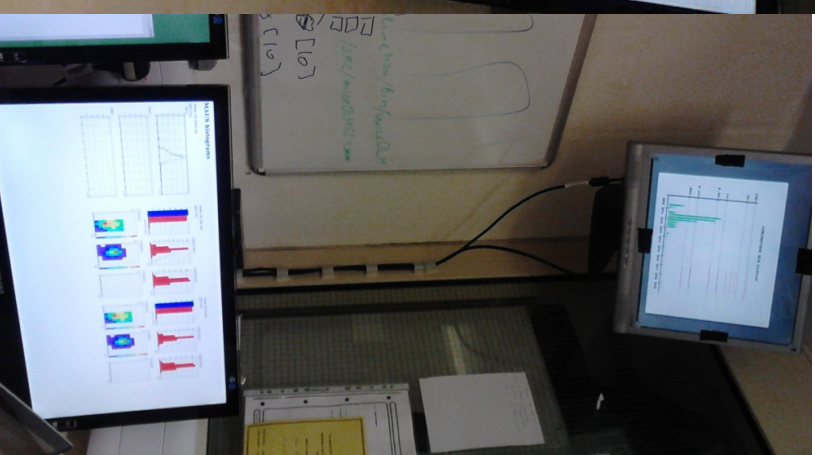
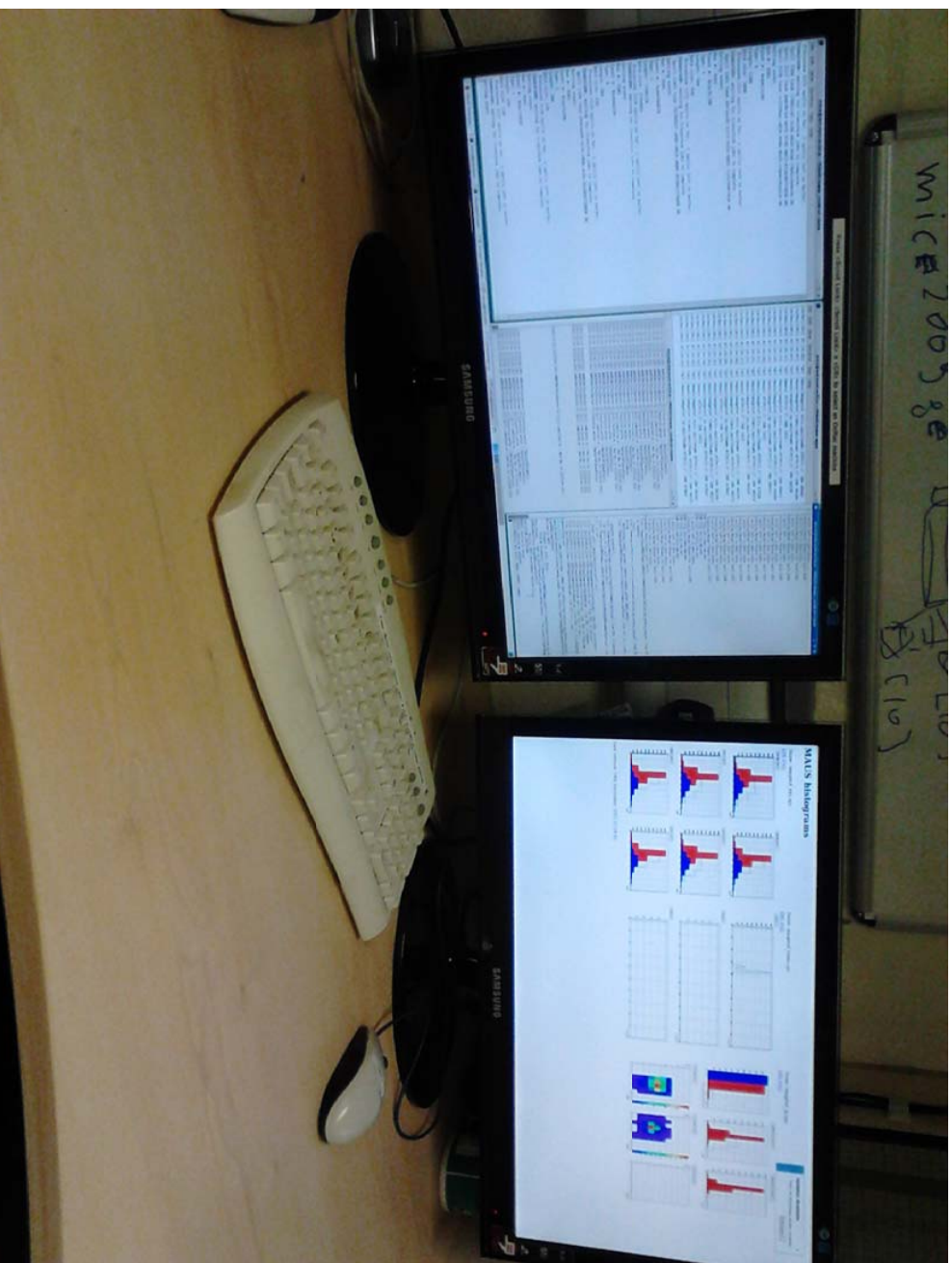


Software Sustainability Institute

Current state



www.software.ac.uk



Software Sustainability Institute