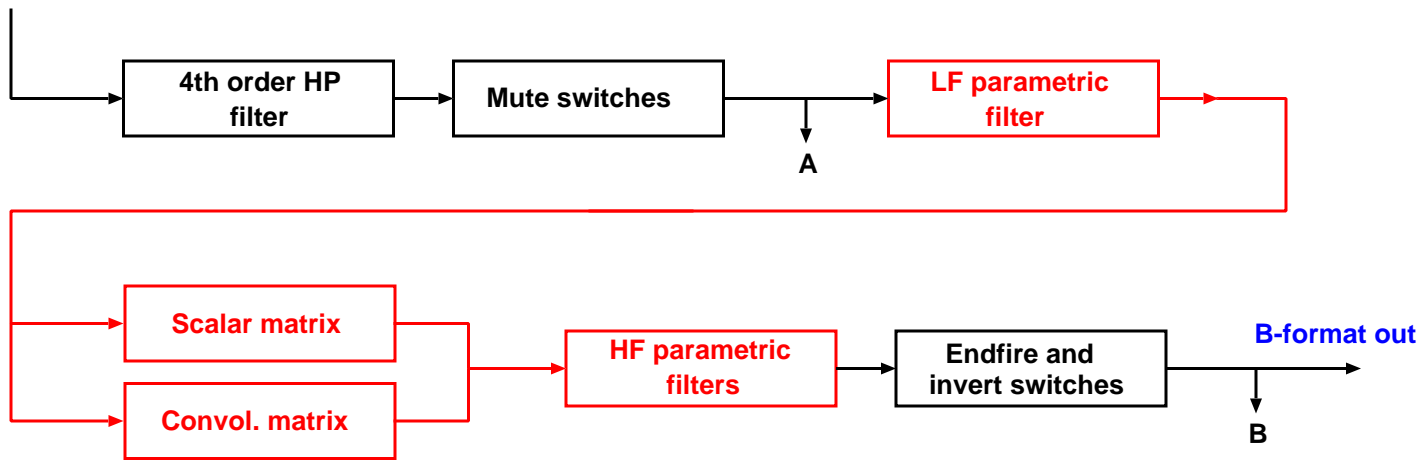


A-format in



B-format in

